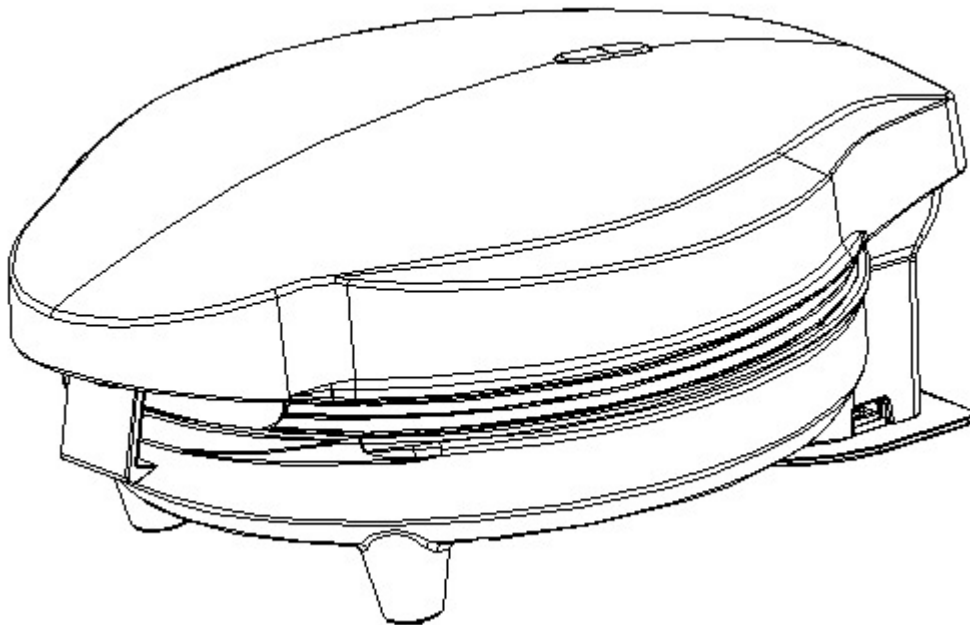


DONUT-MAKER INSTRUCTION

Model: SW-227D



Please read these instructions carefully and retain for future reference.

IMPORTANT SAFEGUARDS

• READ ALL INSTRUCTIONS

- Make sure the voltage in your outlet is the same as the voltage indicated on the appliance's rating label.
- Always turn the power off at the power outlet before you insert or remove a plug. Remove by grasping the plug – do not pull on the cord.
- Turn the power off and remove the plug when the appliance is not in use and before cleaning.
- Do not use your appliance with an extension cord unless this cord has been checked and tested by a qualified technician or service person.
- Close supervision is necessary when your appliance is being used by children or infirm persons.

- Young children should be supervised to ensure that they do not play with the appliance.
- Never leave an appliance unattended while in use.
- Do not use an appliance for any purpose other than its intended use.
- Do not place an appliance on or near a hot gas flame, electric element or any other appliance.
- Do not let the power cord of an appliance hang over the edge of a table or bench top or touch any hot surfaces.
- Do not operate any appliance with a damaged has malfunctioned or has been damaged in any manner. In order to avoid the risk of an electric shock, never try to repair the Donut Maker yourself. Take it to an authorized service station for examination and repair.
- Do not use outdoors or for commercial purposes.
- Unplug the unit when finished using.
- **Do not immerse the appliance in water or any other liquid.**

BEFORE THE FIRST USE

Remove all packaging materials.

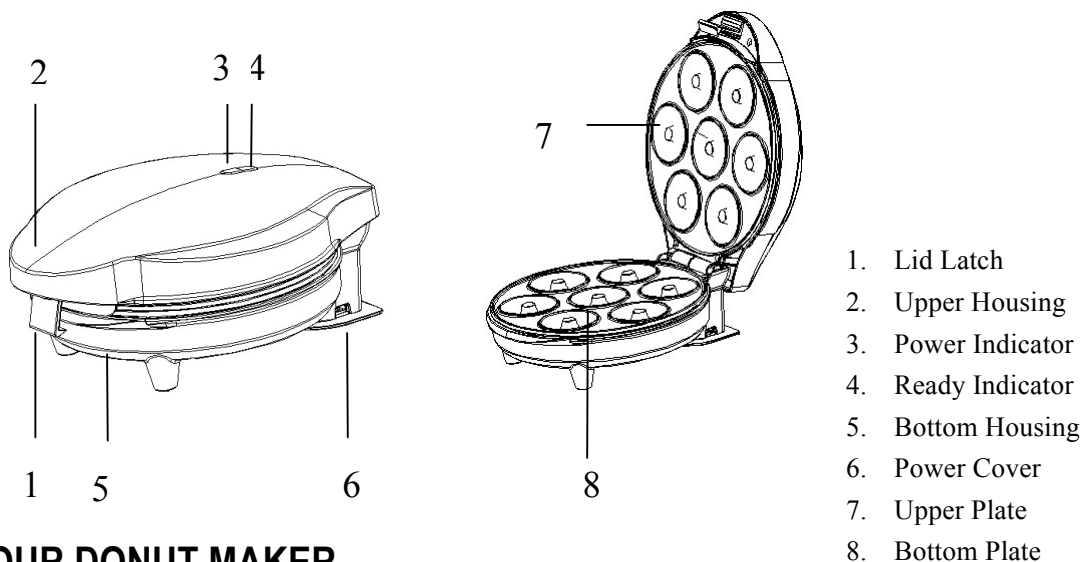
Clean the baking plates with a damp cloth or sponge.

Slightly grease the baking plates with a little cooking oil.

Take care to prevent water from running into the appliance.

PARTS IDENTIFICATION

Before using your Donut Maker for the first time, you should become familiar with all of the parts. Read all Instructions and Safeguards carefully.



USING YOUR DONUT MAKER

Before using the appliance for the first time, peel off any promotional materials and packaging materials, and check that the cooking plates are clean and free of dust. If necessary, wipe over with a damp cloth. For best results, pour a teaspoon of vegetable oil on to the non-stick plates. Spread over with an absorbent kitchen towel and wipe off any excess oil.

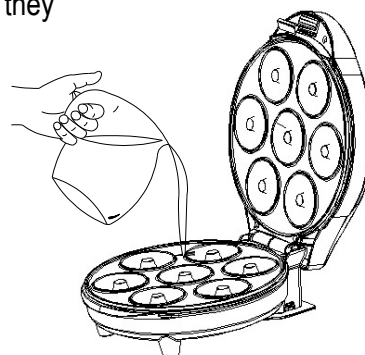
When your Donut Maker is heated for the first time, it may emit slight smoke or odor. This is normal with many heating appliances. This does not affect the safety of your appliance.

- Inset the pin plug into the power outlet, you will notice that the ready indicator will go on, indicating that the Donut Maker has begun preheating.

- Allow your Donut Maker to pre-heat until the ready indicator goes out. This indicates that the cooking plates have reached the correct temperature for cooking.
- For best results, lightly spray the cooking plates with a cooking oil spray before using. This will assist in the removal of the donuts after cooking.
- Divide mixture into pan holes as per recipes using a jug & spoon or fabric piping bag.

Note: Do not use disposable plastic piping bags as these may melt if they come into contact with hot plates.

- Gently close the lid, ensuring the latch locks in place. Do not slam the lid down as it may cause the mixture to run off the cooking plates.
- Allow to cook for approximately 3- 5 minutes or until golden.
- To remove donuts, always use a plastic or wooden spatula. Never use a sharp object or metal, as this will damage the non-stick surface of cooking plates.



CLEANING AND CARE

- Always turn off the power and remove the plug after and before cleaning.
- The cooking plates are coated with non-stick cooking surface, therefore little cleaning is required. Simply wipe cooking plates over with a damp cloth.
- Do not immerse the donut maker in water or other liquids.
- Do not use abrasive scouring pads, powders or cleaners.
- Do not place in the dishwasher.
- Before next use, lightly grease the cooking plates for easy removal of cooked donuts.

STORAGE

- Always unplug the Donut Maker before storage.
- Always make sure the Donut Maker is cool and dry before storing.
- To minimize storage space in your kitchen, the donut maker can be stored vertically.